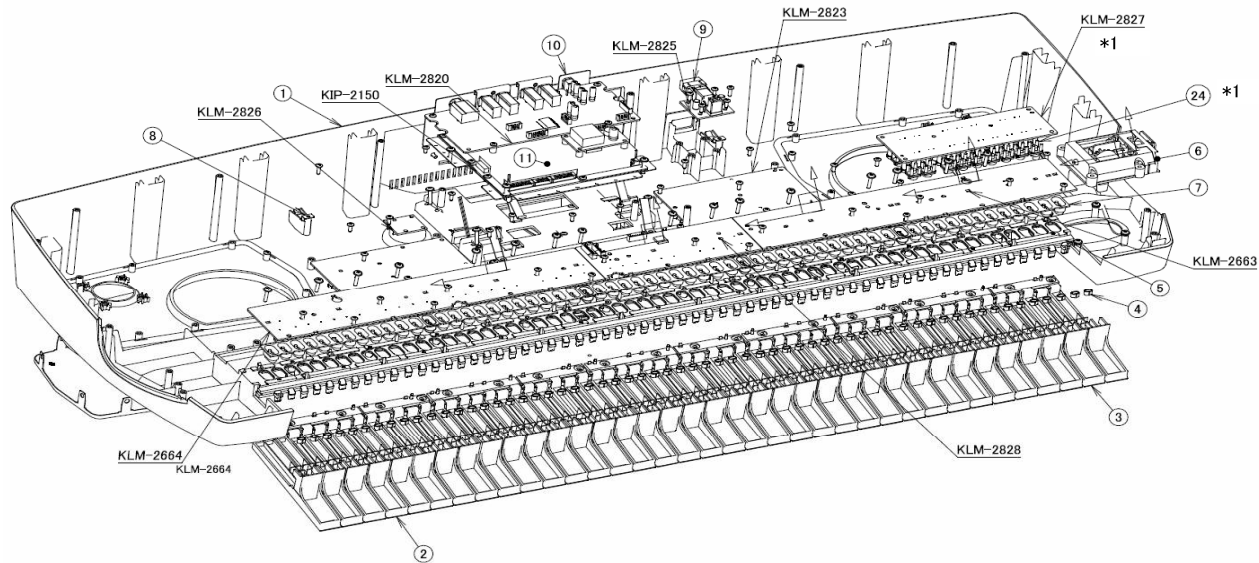


Pa500 ASSEMBLE DRAW UPPER DRAW



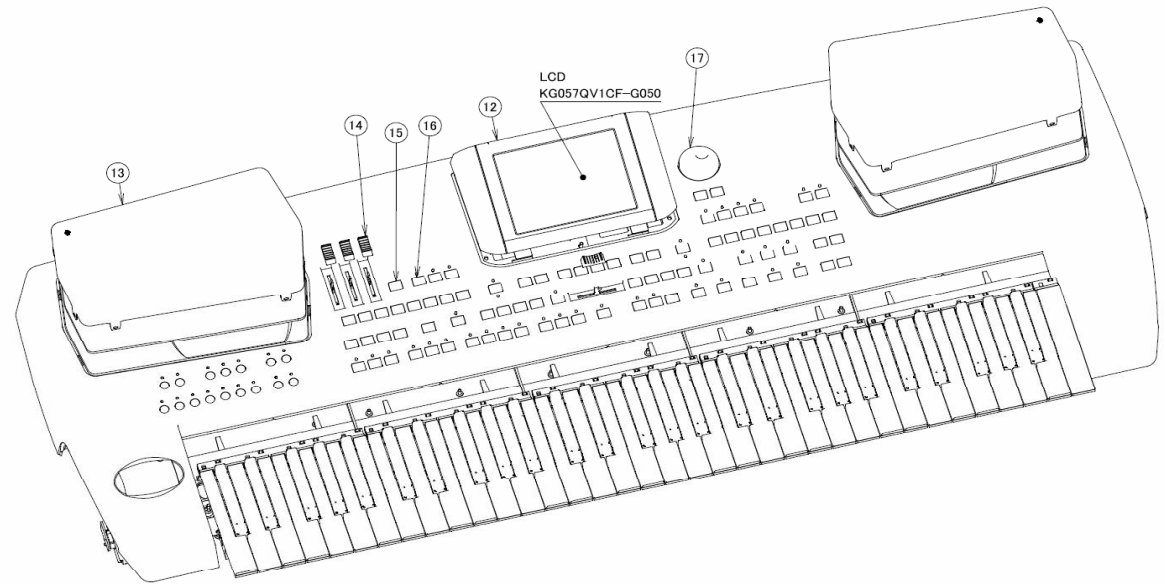
Screw information

Part Cord	PART NAME	NOTE
	BT B 3BC 3 X 6	for metal chassis to PCB
	SCREW BT B 3BC 3X10	for UPPER CASE
	BT FEW 3BBC 3 X 16	for KEY BOARD
	SCREW BT B NIC 3 X 8	for rear side UPPER CASE

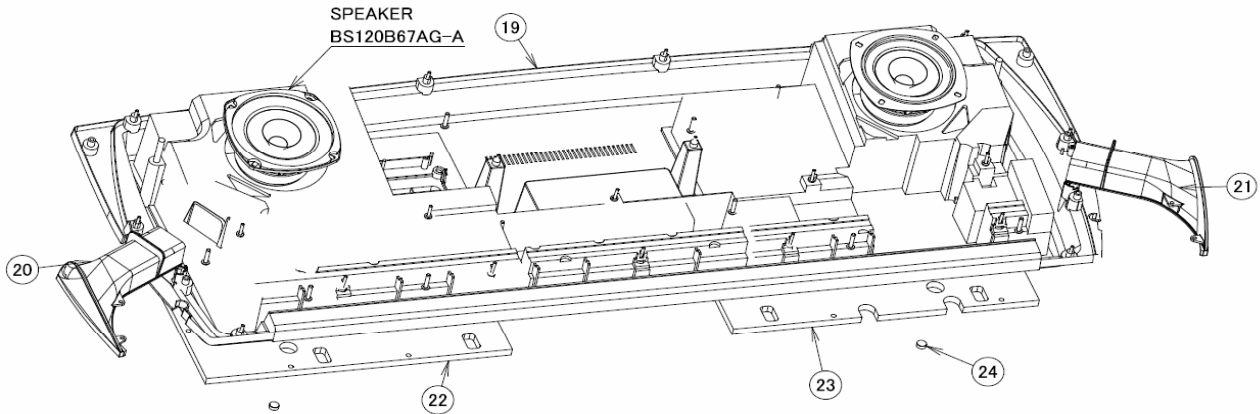
PCB

Part Cord	PART NAME	NOTE
510C51532663	KLM-2663 PA500(X-5390)ASS'Y	PCB for KEY BOARD
510C51532664	KLM-2664 PA500(X-5390)ASS'Y	PCB for KEY BOARD
510C51532828	KLM-2828 PA500(X-5390)ASS'Y	PCB for KEY BOARD

*1



Pa500 ASSEMBLE DRAW BOTTOM SIDE DRAW



Part Cord	PART NAME	NOTE
	BT FEW 3BC 3 X 20	for bottom board for UPPER side & BOTTOM side *1
	BT B 3BBC 4X20	for UPPER side & BOTTOM side for bottom board *1

No	Part Cord	PART NAME	NOTE
1	510646508002	X-5390 UPPER CASE E10252-1	Standard Pa500
	-	X-539A UPPER CASE E10252-2	
	-	X-539B UPPER CASE E10252-3	
	-	X-539C UPPER CASE E10252-4	
	-	X-539D UPPER CASE E10252-5	
	-	X-539E UPPER CASE E10252-6	
	-	X-539F UPPER CASE E10252-7	
2	510646502086	KEY ASSY 13(M) KOC-H30306-1	
3	510646502085	KEY ASSY 12(M) KOC-H30305-1	
4	510500505001	KEY GUIDE RUBBER QMGG055AA	
5	510500505501	KB FELT 1 KOC-F41281-1	
6	510649500502	PA50 JS ASSY 11PA050JS10	
7	510500504503	RUBBER BOTTON 13 KOC-E30438	
8	510640508028	X-5390 SH SPRING C41536	
9	510646502122	X-952 PWS KNOB (CH) E40726	
10	510640508031	X-5390 LOWER CHASSIS C30753	
11	510640508030	X-5390 UPPER CHASSIS C30752	
12	510646502119	X-5390 LCD HOOD E30475	
13	510802500534	X-5390 SP NET C30754	
14	510646502049	X-2100 SLIDER KNOB E40578-2	
15	510646508501	5390 SQUARE SW NL DG E40720-1	
	510646508502	5390 SQUARE SW NL LG E40720-2	collor:Light Gray
16	510646508503	5390 SQUARE SW LED DG E40721-1	collor:Dark Gray
	510646508504	5390 SQUARE SW LED LG E40721-2	collor:Light Gray
	510646508505	5390 SQUARE SW LED RD E40721-3	collor:Red
17	510646502123	X-610 ENCODER KNOB(CH) E40727 -1 GRAY	
18	510646508001	X-5390 BOTTOM CASE E20294	
19	510646502120	X-5390 BASS PORT assy L E30476-1	
20	510646502121	X-5390 BASS PORT assy R E30476-2	
21	510645500005	X-5390 BOTTOM BOARD L D30312	
22	510645500006	X-5390 BOTTOM BOARD R D30313	
23	510802500533	X-5390 FOOT RUBBER E40723	
24	510646508507	5390 CIRCLE SW LED LG E40725-1	collor:Dark Gray *1
	510646508508	5390 CIRCLE SW LED WH E40725-2	collor:Dark White *1
	510646508509	5390 CIRCLE SW LED BK E40725-3	collor:Dark Black *1